

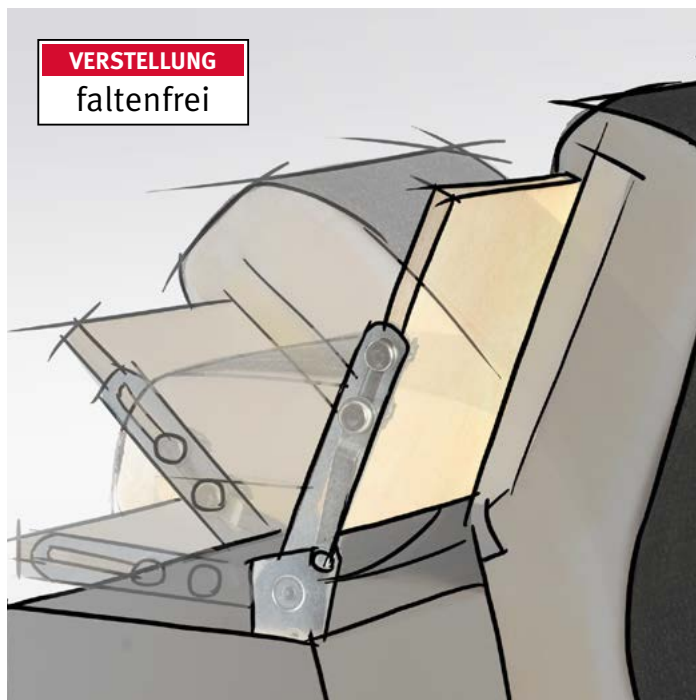


Upholstery joint CA 14

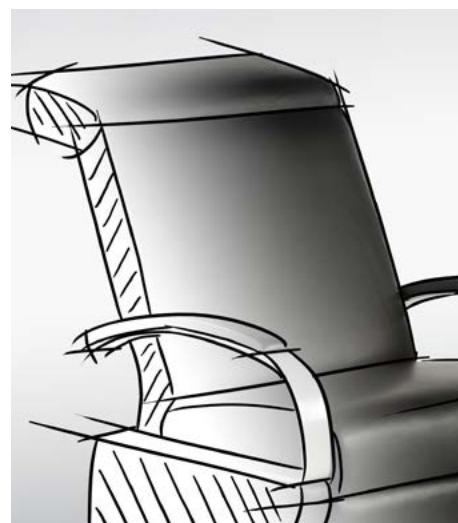
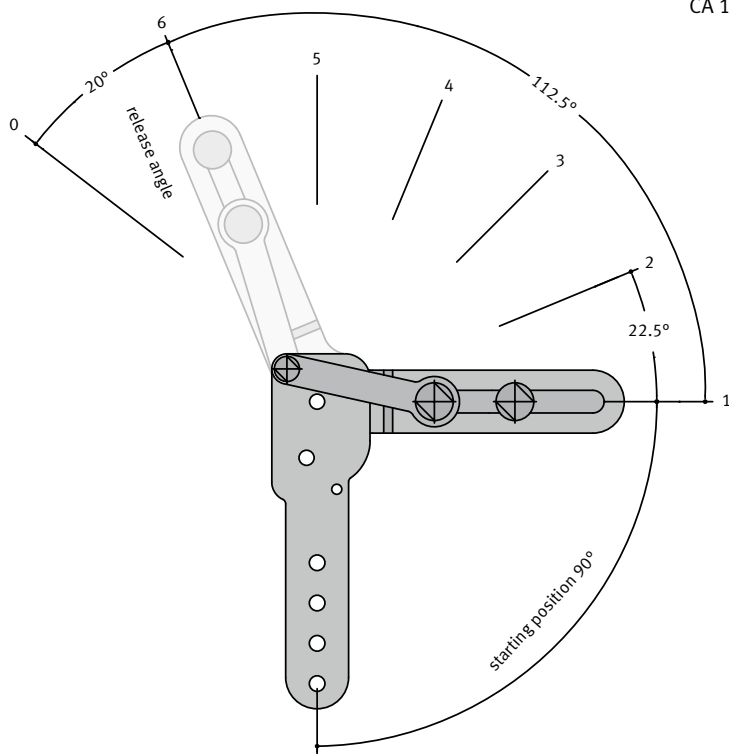
for headrest adjustments without fabric creases

- tooth catch 22.5°
- covered teeth
- with automatic axis extension for headrest adjustments without fabric creases
- with friction catch in starting position
- with brackets and levers for every assembly situation, see page 48

**AVAILABLE
FROM 100 UNITS**



CA 14-68



CA 14-69

starting position	positions	final position incl. release angle	friction catch starting position	return spring	axis extension mm	unit	article
90°	6	222.5°	–	–	30	set	CA 14-66
90°	6	222.5°	×	–	30	set	CA 14-67
90°	6	222.5°	×	–	50	set	CA 14-68
90°	6	222.5°	–	×	30	set	CA 14-86*
90°	6	222.5°	–	×	50	set	CA 14-87*
90°	7	245°	–	×	30	set	CA 14-91

***Patent**

! We will find the suitable upholstery joint for your individual assembly situation, too.
Please contact us!